

GE Pre-rinse Spray Units - Deck Mounted

Stock Code & Description

TF81HJS

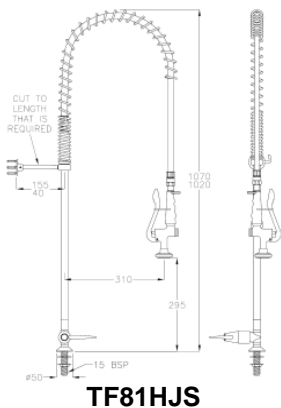
Chrome plated hob mounted single stop pre-rinse unit type 81H, 15BSP MI inlet - standard.
Optional extra: TF85-C pot filler can be added now or later to all new models.

TF84HCS

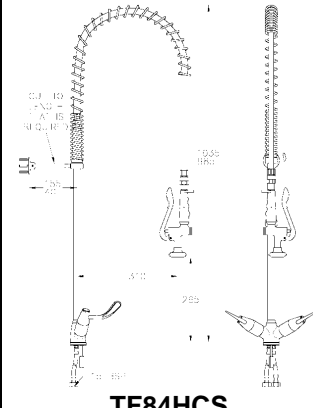
Chrome plated hob mounted twin mixer pre-rinse unit type 84H, 15BSP FI flex tails – standard.
Optional extra: TF85-C pot filler can be added now or later to all new models.

TF85-C

Optional extra - chrome plated pot filler to suit all new model GE pre-rinses, can be added now or later.



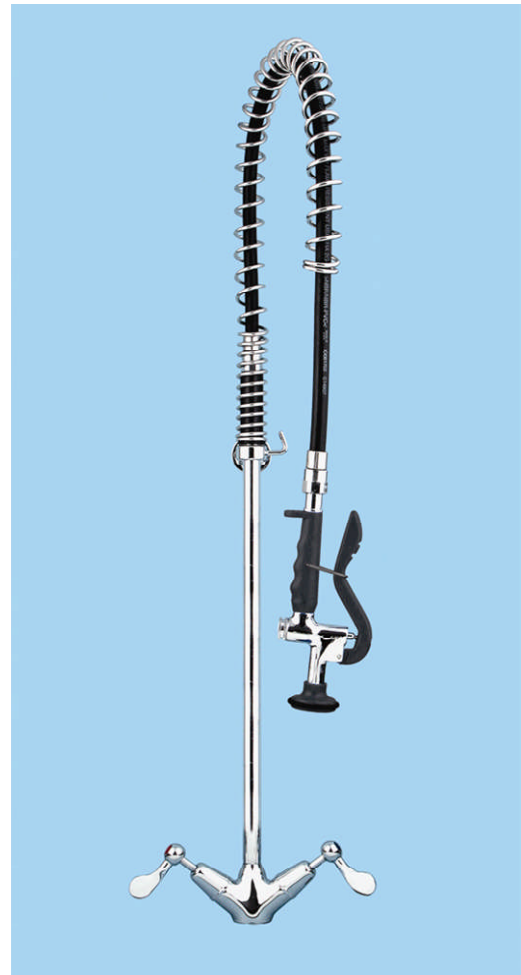
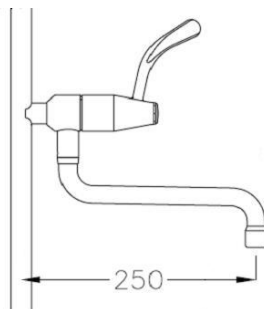
TF81HJS



TF84HCS



TF85-C
Optional add-on
Pot Filler



TF84HCS without optional TF85-C Pot Filler

GE Pre-Rinse Spray Units - Wall Mounted

Stock Code & Description

TF80W-S

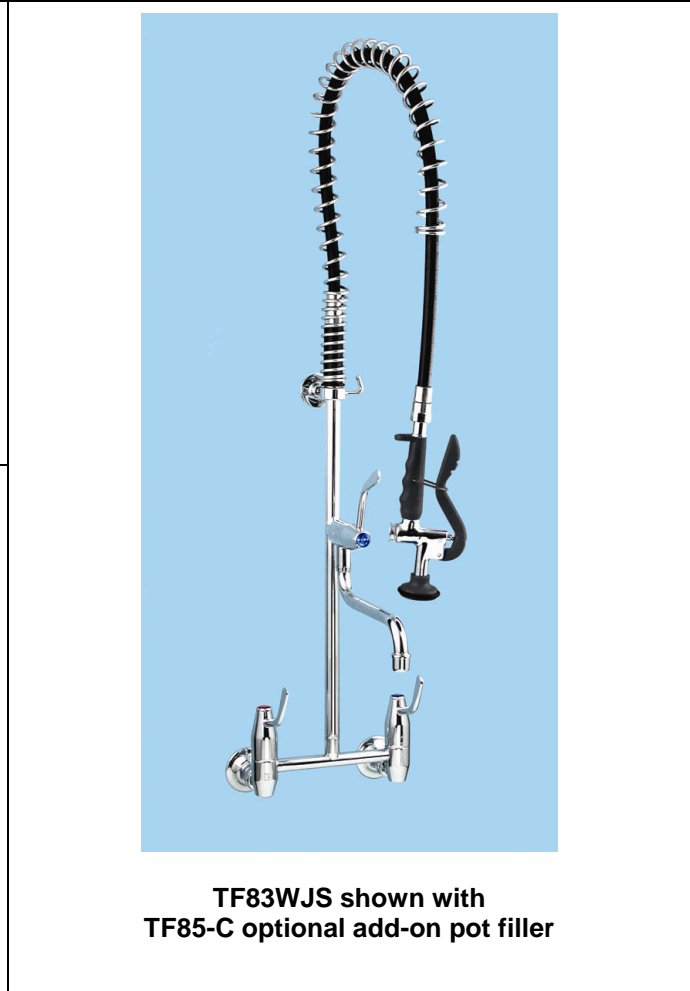
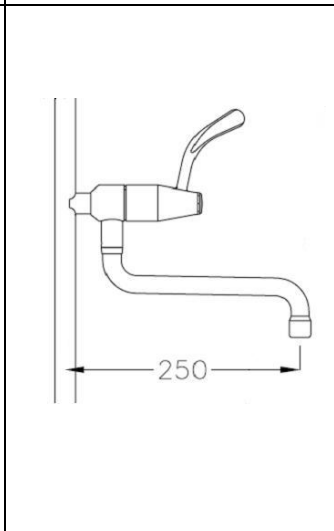
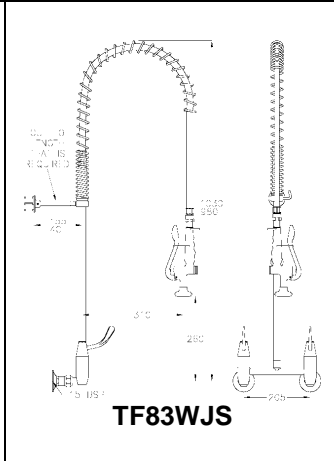
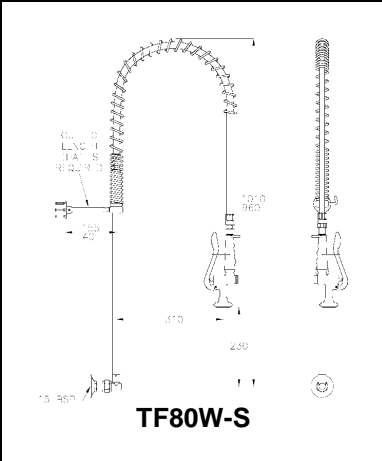
Chrome plated wall mounted no-stop pre-rinse unit type 80W, 15BSP FI inlet – standard.
Optional extra: TF85-C pot filler can be added now or later to all new models.

TF83WJS

Chrome plated wall mounted exposed mixing pre-rinse unit type 83W, 15BSP FI inlets, standard.
Optional extra: TF85-C pot filler can be added now or later to all new models.


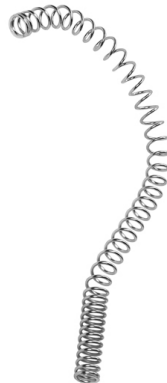
TF85-C

Optional extra - chrome plated pot filler to suit all new model GE pre-rinse, can be added now or later.





Features	Advantages	Benefits
6 Star WELS rating and AS/NZS3718:2005 compliant. Watermark license no. WMKA0034.	Efficient use of water and meets all the Australian standards.	Saves money due to less water usage, quality. Australian made product.
Simple installation.	Comes already assembled.	Save on installation time and errors.
High pressure hose with swivel unions on both ends.	Long lasting, can take heavy work load and better movement of the unit, easier to use.	More efficient, less downtime and less wear and tear on unit, easy to maintain, saves money.
Robust trigger hand spray with built-in check valve.	Will handle the pace of a commercial kitchen and prevents cross contamination from back flow.	More efficient running of day to day tasks and better overall hygiene standards in the workplace.
Electro polished stainless steel heavy duty spring.	Longer lasting and no stains or tarnish on the spring.	Saves money and more hygienic.
Adjustable heavy duty bracket.	Able to withstand heavy workstations and easy to install.	Eliminate damage and repairs, saves time on installation.
Robust lever action handles.	Easy to use design.	Limit water wastage and reduce costly repairs.
All manufactured to suit Australian requirements.	Spare parts are readily available and all components are interchangeable.	Save time and money on maintenance, servicing is simple and fast.

GE Repair Kits & Replacement Parts	
	Stock Code & Description
	<p>37418 Heavy Duty Pre-rinse Hose 1000mm x 15FI BSP, swivel both ends.</p>
	<p>37418-1500 Heavy Duty Pre-rinse Hose 1500mm x 15FI BSP, swivel both ends.</p>
	<p>712052 Stainless steel spring for pre-rinse units</p>

GE Repair Kits & Replacement Parts

	Stock Code & Description
	<p>37421 Spray Valve. WaterMark approved and 6 Star WELS rated.</p>
	<p>37427 Spare lever handle only for pre-rinse trigger spray</p>
	<p>37429 Grub screw for trigger spray</p>
	<p>GE ADAPT Stainless steel adaptor to allow the GE 37421 spray valve to be fitted to existing T&S, Encore & CH series pre-rinse spray units.</p> <p>Size of thread that fits hose is 7/8"-20 Male Size of thread that fits 37421 spray valve is 1/2" NPT Female</p>
	<p>FISHER ADAPT Stainless steel adaptor which allows the GE 37421 low flow spray gun to be fitted to Fisher pre-rinse spray arm hoses.</p> <p>Size of thread that fits hose is 3/4"-14 Female Size of thread that fits 37421 spray valve is 1/2" NPT Female</p>